

The information disclosed herein was originated by and is the property of Densitron International. Densitron International reserves all patent, proprietary, design, use, sales, manufacturing and reproduction rights thereto.

REVISIONS			
REV.	DESCRIPTION	DATE	APPROVED
A	Released on ECN #E1563	10/08/03	MA

- 1. Specification subject to change without notice.**
- 2. All dimensions and specifications apply to standard modules. This information may vary for modules with optional features.**
- 3. All dimensions are in millimeters.**
- 4. Precautions: These precautions apply equally to modules from all makers, not just Densitron. Violation of these guidelines may void the warranty and can cause problems ranging from erratic operation to catastrophic display failure.**

Handling precautions:

- ◆ This device is susceptible to Electro-Static Discharge (ESD) damage. Observe Anti-Static precautions.

Power supply precautions:

- ◆ Identify and, at all times, observe absolute maximum ratings for both logic and LC drivers. Note that there is some variance between models.
- ◆ Prevent the application of reverse polarity to VDD and VSS, however briefly.
- ◆ Use a clean power source free from transients. Power up conditions are occasionally "jolting" and may exceed the maximum ratings of the module.
- ◆ The +5V power of the module should also supply the power to all devices which may access the display. Don't allow the data bus to be driven when the logic supply to the module is turned off.
- ◆ DO NOT install a capacitor between the Vo (contrast) pin and ground. VDD must, at all times, exceed the Vo voltage level. The capacitor combines with the contrast potentiometer to form an R-C network which "holds-up" Vo, at power-down, possibly damaging the module.

Operating precautions:

- ◆ DO NOT plug or unplug the module when the system is powered up.
- ◆ Minimize the cable length between the module and host MPU. (Recommended max. length 30 cm).
- ◆ For models with EL backlights, do not disable the backlight by interrupting the HV line. Unloaded inverters produce voltage extremes which may arc within a cable or at the display.
- ◆ Operate the module within the limits of the modules temperature specifications.

Mechanical / Environmental precautions:

- ◆ Improper soldering is the major cause of module difficulty. Use of flux cleaner is not recommended as they may seep under the elastomeric connection and cause display failure. Densitron recommends the use of Kester "245" no-clean solder.
- ◆ Mount the module so that it is free from torque and mechanical stress.
- ◆ Surface of LCD panel should not be touched or scratched. The display front surface is an easily scratched, plastic polarizer. Avoid contact and clean only when necessary with soft, absorbent cotton dampened with petroleum benzene.
- ◆ ALWAYS employ anti-static procedure while handling the module.
- ◆ Prevent moisture build-up upon the module and observe the environmental constraints for storage temperature and humidity.
- ◆ DO NOT store in direct sunlight.
- ◆ If leakage of the liquid crystal material should occur, avoid contact with this material, particularly ingestion. If the body or clothing becomes contaminated by the liquid crystal material, wash thoroughly with water and soap.

Notes: (unless otherwise specified)

Unless otherwise specified: Dimensions are mm Tolerances are: X = ± 3 .X = ± 0.5 .XX = ± 0.05 Cage Code #OWS52	APPROVALS	DATE	DENSITRON TECHNOLOGIES PLC.	
	DRAWN			
	CHECKED		TITLE	LCD MODULE COB 2 LINE X 8 CHARACTERS
	ISSUED		DWG. NO.	LC4070

1.0 DESCRIPTION

Dot matrix display module consisting of a Liquid Crystal Display, CMOS driver and controller LSI, and printed circuit board, metal support frame.

Available LC fluids types are:) STN (supertwisted nematic),STN-H (extended temperature range STN).

2.0 MECHANICAL CHARACTERISTICS

Item	Specifications	Unit
Package Dimensions	58.0 (W) x 32.0 (H) x 13.0 max. (D)	mm
Display format	2 line x 8 characters	-
Character font format	5 (W) x 7 (H) with attached cursor	dots
Driving method	1/16	duty
Dot size	.545 (W) x .645 (H)	mm
Dot pitch	.60 (W) x .70 (H)	mm
Character Size	2.945 (W) x 5.545 (H)	mm
Active display area	27.76 (W) x 11.49 (H)	mm
Viewing area	35.0 (W) x 15.0 (H)	mm
Weight		g

Notes:W-Width;H-Height;D-Depth.

3.0 ABSOLUTE MAXIMUM RATINGS

V_{SS}=0V;T_a=25°C

Item	Symbol	STN		STN-H		Unit
		Min.	Max.	Min.	Max.	
Logic supply voltage	V _{DD} -V _{SS}	0	7	0	7	V
LC driver supply voltage	V _{DD} -V _O	0	10	0	10	V
Operating temperature	T _{OP}	0	+50	-20	+70 (Note 3)	°C
Storage temperature (Note 1)	T _{ST}	-20	+70	-30	+80	
Humidity: Operating (@40°C)	-	-	85%	-	85%	RH (Note 2)
Non-operating (@40°C)	-	-	95%	-	95%	RH (Note 2)

Notes: 1: Tested to 100 hrs.
2: Refers to non-condensing conditions.
3: With backlight off.

4.0 ELECTRICAL CHARACTERISTICS

V_{DD}=5±0.25V;T_a=25°C

Item	Symbol	Test Condition	Min.	Typ.	Max.	Unit
Input "High" voltage	V _{IH}	-	2.2	-	V _{DD}	V
Input "Low" voltage	V _{IL}	-	-	-	0.6	V
Output "High" voltage	V _{OH}	I _{OH} =0.205mA	2.4	-	-	V
Output "Low" voltage	V _{OL}	I _{OL} =1.2mA	-	-	0.4	V
Power supply current	I _{DD}	V _{DD} =5.0V	-	2.2	-	mA

5.0 RECOMMENDED LC DRIVE VOLTAGE ($V_{DD}-V_o$)

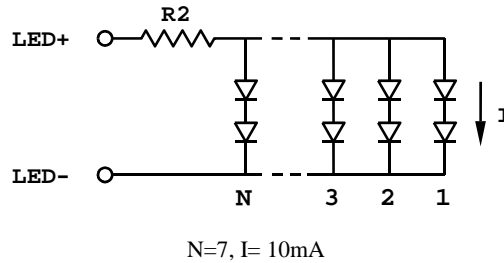
$V_{DD}=5.0\pm 0.25V$

Temperature	STN	STN-H
$T_a = -20^\circ C$	-	6.2
$T_a = 0^\circ C$	4.8	6.0
$T_a = 25^\circ C$	4.5	5.8
$T_a = 50^\circ C$	4.2	5.5
$T_a = 70^\circ C$	-	5.3

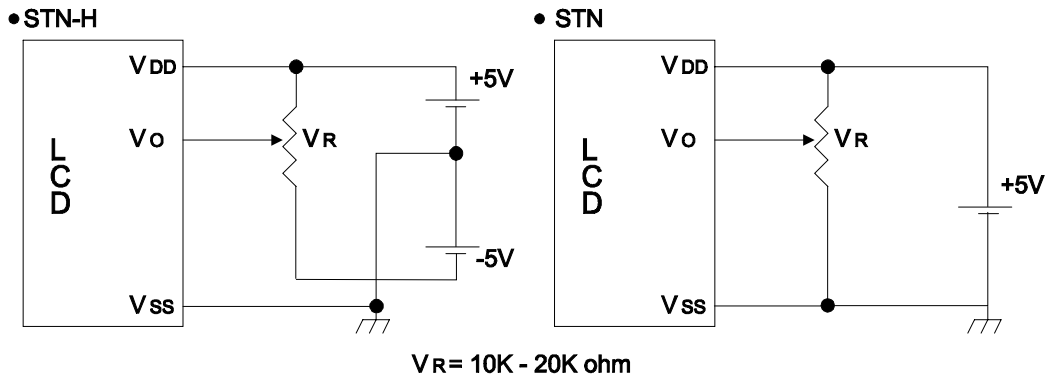
6.0 BACKLIGHT SPECIFICATIONS:

$T_a=20^\circ C, 60\%RH, Darkroom.$

Item	Symbol	Typ.	Max.	Unit
LED lamp input voltage	V_{LED+}	5	6	V_{rms}
LED lamp input current	I_{LED}	70	80	mA
Build-In current limit resistor	R1	-	-	Ohms, W
Recommended external current limit resistor	R2	12 Ohms, 1/4W	-	Ohms, W
Number of LED nodes	N	7	-	-



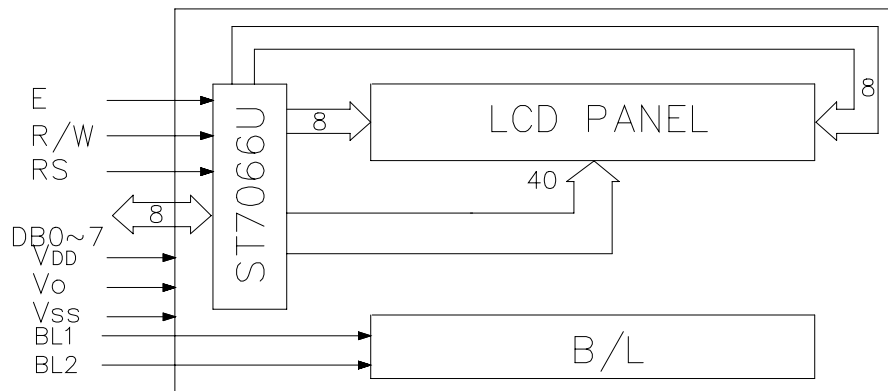
7.0 POWER SUPPLY



8.0 INTERFACE DESCRIPTION

Pin No.	Symbol	I/O	Function
1	VSS, LED-	-	Ground (0V), VLED-
2	VDD	-	Logic Supply Voltage (+5V)
3	Vo	-	LC Drive voltage for contrast adjustment
4	RS	I	Register Select 0: Instruction Register 1: Data Register
5	R/W	I	Read / Write 0: Data Write (Module←MPU) 1: Data Read (Module→MPU)
6	E	I	Enable Signal Active High (H→L)
7	DB0	I/O	Bi-directional data bus line 0
8	DB1	I/O	Bi-directional data bus line 1
9	DB2	I/O	Bi-directional data bus line 2
10	DB3	I/O	Bi-directional data bus line 3
11	DB4	I/O	Bi-directional data bus line 4
12	DB5	I/O	Bi-directional data bus line 5
13	DB6	I/O	Bi-directional data bus line 6
14	DB7	I/O	Bi-directional data bus line 7
15	VLED+	-	Anode (+) LED backlight input voltage
16	VLED-	-	Cathode (-) LED backlight input voltage
BL1	VLED+	-	Anode (+) LED backlight input voltage
BL2	VLED-	-	Cathode (-) LED backlight input voltage

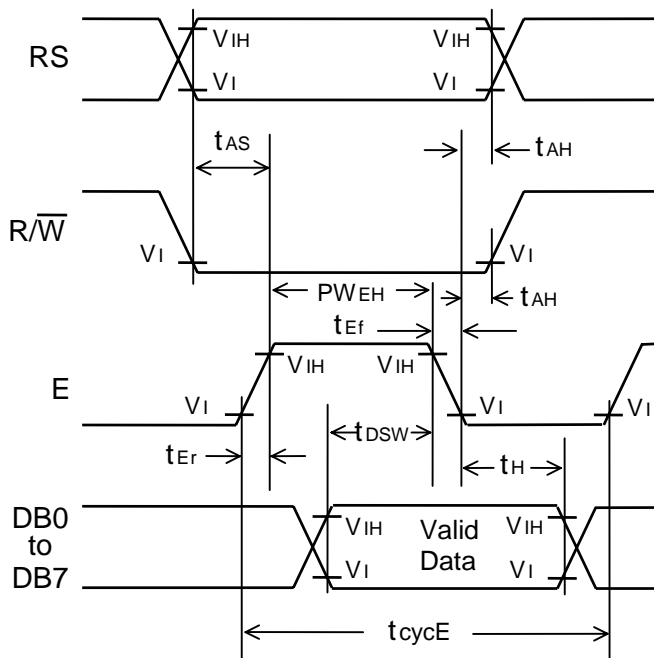
9.0 BLOCK DIAGRAM:



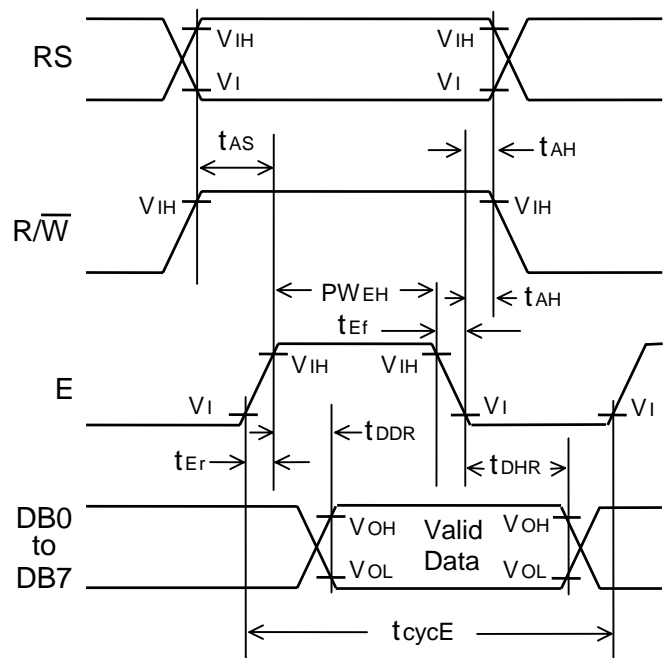
10.0 TIMING CHARACTERISTICS

Item	Symbol	Min.	Typ.	Max.	Unit
Enable cycle time	T_{cycE}	500	-	-	nS
Enable pulse width	PW_{EH}	230	-	-	nS
Enable rise / fall time	t_{Er}/t_{Ef}	-	-	20	nS
Address set-up time	t_{AS}	40	-	-	nS
Address hold time	t_{AH}	10	-	-	nS
Data delay time	t_{DDR}	-	-	160	nS
Data hold time (Write)	t_{DHW}	10	-	-	nS
Data hold time (Read)	t_{DHR}	5	-	-	nS
Data set-up time	t_{DSW}	80	-	-	nS

WRITE OPERATION



READ OPERATION



11.0 DD RAM ADDRESS vs. DISPLAY POSITION

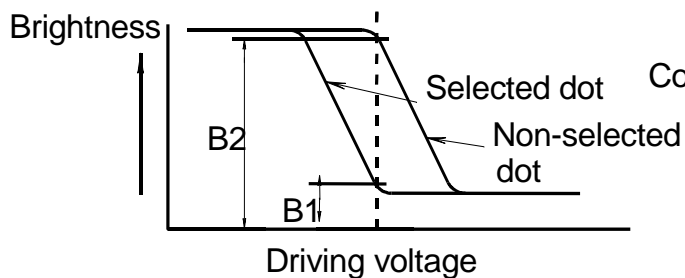
Character	1	2	3	4	5	6	7	8
Line 1	00	01	02	03	04	05	06	07
Line 2	40	41	42	43	44	45	46	47

12.0 OPTICAL CHARACTERISTICS

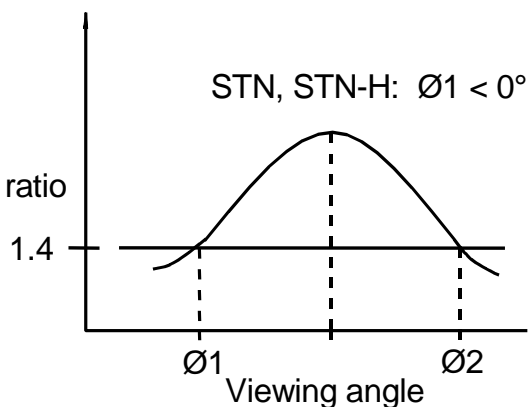
Item	Symbol	Test Condition	Min.	Typ.	Max.	Unit
Contrast ratio STN	K	$\theta=20^\circ \theta=0^\circ$	4	-	-	-
Contrast ratio STN-H	K	$\theta=20^\circ \theta=0^\circ$	5	-	-	-
Viewing angle STN	$\theta_2-\theta_1$	$\theta=0^\circ K \geq 1.4$	40	-	-	Deg.
		$\theta=20^\circ K=1.4$	± 30	-	-	Deg.
Viewing angle STN-H	$\theta_2-\theta_1$	$\theta=0^\circ K \geq 1.4$	40	-	-	Deg.
		$\theta=20^\circ K=1.4$	± 40	-	-	Deg.
Response time Rise	tr	$\theta=20^\circ \theta=0^\circ$	-	150	250	mS
		$\theta=20^\circ \theta=0^\circ$	-	150	250	mS

DEFINITION OF CONTRAST

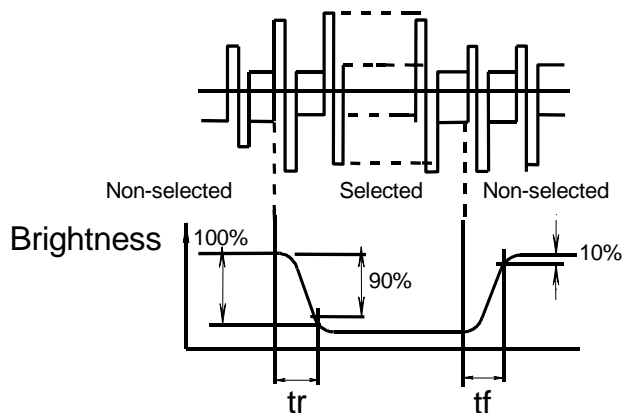
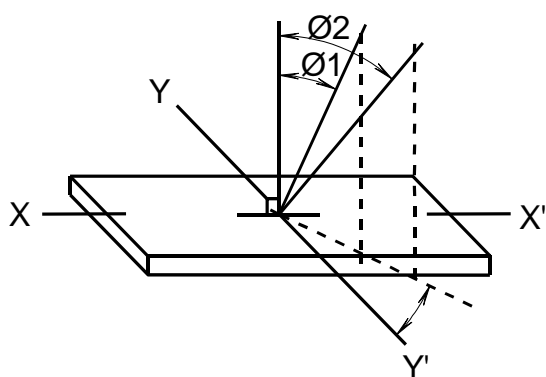
$$K = \frac{\text{Brightness of non-selected}}{\text{Brightness of selected}}$$



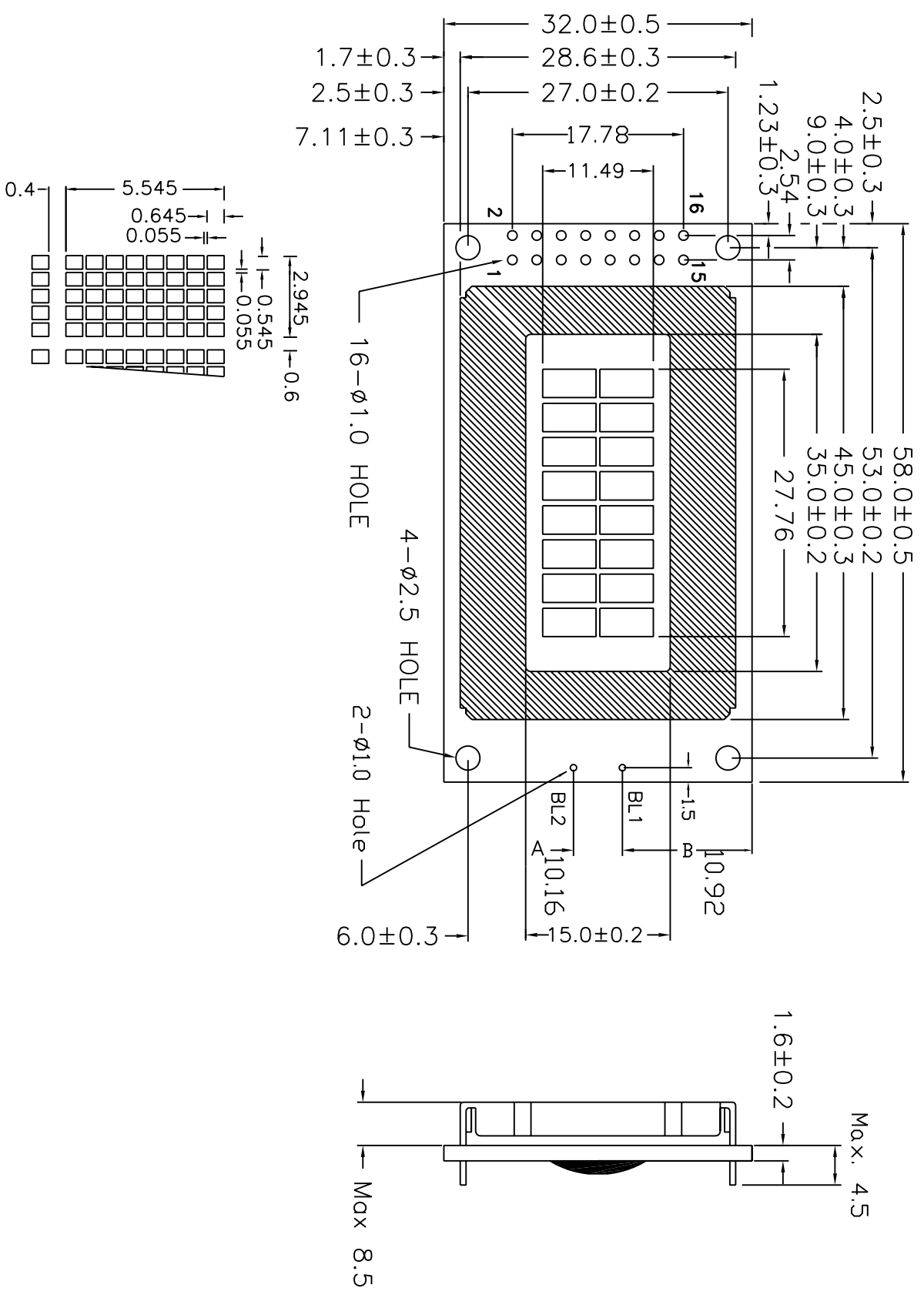
CONTRAST VERSUS



DEFINITION OF ANGLES θ AND DEFINITION OF OPTICAL RESPONSE



13.0 MODULE DIMENSIONS



Cage Code #DWSS2

DWG. NO.

LC4070

SHEET 7 OF 8

REV. A

14.0 PART NUMBER DESCRIPTION FOR AVAILABLE OPTIONS

LC4070①②2C08③④⑤⑥

①

Polarizer Type

B = Transflective: light background with LED backlight

②

BACKLIGHT COLOR

G = Yellow-green (standard)

③

Fluid Type and Power Supply

S = STN with +5VDC operation

H = STN-H with ± 5 VDC operation

④

Fluid Type

N = STN, 5STN-H

⑤

Background Color for STN

G = Gray background

Y = Yellow background